

Product Information and Prices



Elmasteam 8 med

High - performance steam cleaner

registered as class I medical devices according to the Medical Devices Regulation (EU) 2017 / 745.

Please observe the laws and legal regulations applicable in your country.



Order numbers and list prices

Elmasteam 8 med	HS	HSL	HS - DL	P - HS - DL	P - HSL - DL
Order number 220 - 240 V~	1075951	1092944	1075953	1075954	1090870
List price	2.650,00 €	2.710,00 €	2.800,00 €	3.410,00 €	3.480,00 €

HS - handpiece; HSL - handpiece long; DL - compressed air; P - pump

Scope of delivery

- High - performance steam cleaner
- Operating manual
- Power cable with rubber connector (2 m length)
- Luer-Lock connector (fem. / fem.) and nozzle with Luer-lock connection (fem.) / catheter attachment (big)
- Test strips to determine water hardness and chloride content
- Filling sieve and tweezers
- Maintenance hose, flushing set, pressure vessel screw cap with spare O-rings
- Hose for fixed water connection (only for devices with integrated pump)

All prices ex works, excluding packaging.

Technical specifications serve as orientation values and are subject to tolerances due to production and manufacturing. Proper operation can only be guaranteed when using original Elma accessories.

Elmasteam 8 med

Product features and functions

▪ Constant steam pressure (adjustable 4 - 8 bar) due to high heating power
▪ Pressure ranges „soft“ (4 - 6 bar) and „strong“ (6 - 8 bar), freely selectable in 0.5 bar steps
▪ Two different tubing lengths available for the handpiece (1.4 or 2.3 m)
▪ Luer-Lock connection (male) on the handpiece; hollow-body instruments can thus be connected directly to the handpiece
▪ eco mode to reduce the operating pressure to 3 bar when not in use (switched off or adjustable 1 - 7 h)
▪ lock mode to deactivate the steam and compressed air buttons to prevent any unintentional use (switched off or adjusted 15 - 105 min)
▪ Intelligent, programme-controlled descaling programme
▪ One central control element (rotary-push-button) for user-friendly operation
▪ Compact design* with hygienic stainless steel surfaces
▪ Clear and easy to read display of the operating status
▪ Visual and partly also audible warning of service intervals and error messages
▪ Variable filling methods
▪ manually via filling funnel
▪ Intelligent pump control for automatic refilling without work interruption (only for devices with integrated pump)
▪ automatically via a fixed water connection (only for devices with integrated pump)
▪ automatically via a canister (only for devices with integrated pump)
▪ Optionally with compressed air connection (compressed air supply with 4 - 6 bar necessary); compressed air controllable via handpiece
▪ Device incl. safety installations TÜV type-tested according to DIN EN 61010-1
▪ 3 years warranty in case of intended use

*Ensure a distance of at least 10 cm to the rear wall and sufficient ventilation at the workplace. For more information on installation conditions, see the operating instructions.

Technical specifications serve as orientation values and are subject to tolerances due to production and manufacturing. Proper operation can only be guaranteed when using original Elma accessories.

Elmasteam 8 med

Technical Data - Mechanics

Elmasteam 8 med	HS	HSL	HS-DL	P-HS-DL	P-HSL-DL
With integrated pump				•	•
With pressure air connection			•	•	•
Max. operating pressure (bar)	8,0				
Pressure tank capacity (l)	5,0				
Max. tank capacity (l)	3,8				
Unit ext. dimensions W / D / H (mm)	315 / 350 / 520				
Weight (kg)	ca. 20,0				
Length handpiece hose (m)	1,4	2,3		1,4	2,3

Technical Data - Electronics and noise level

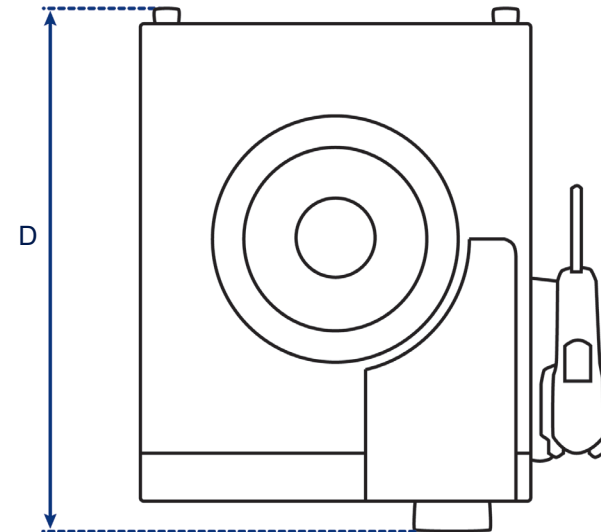
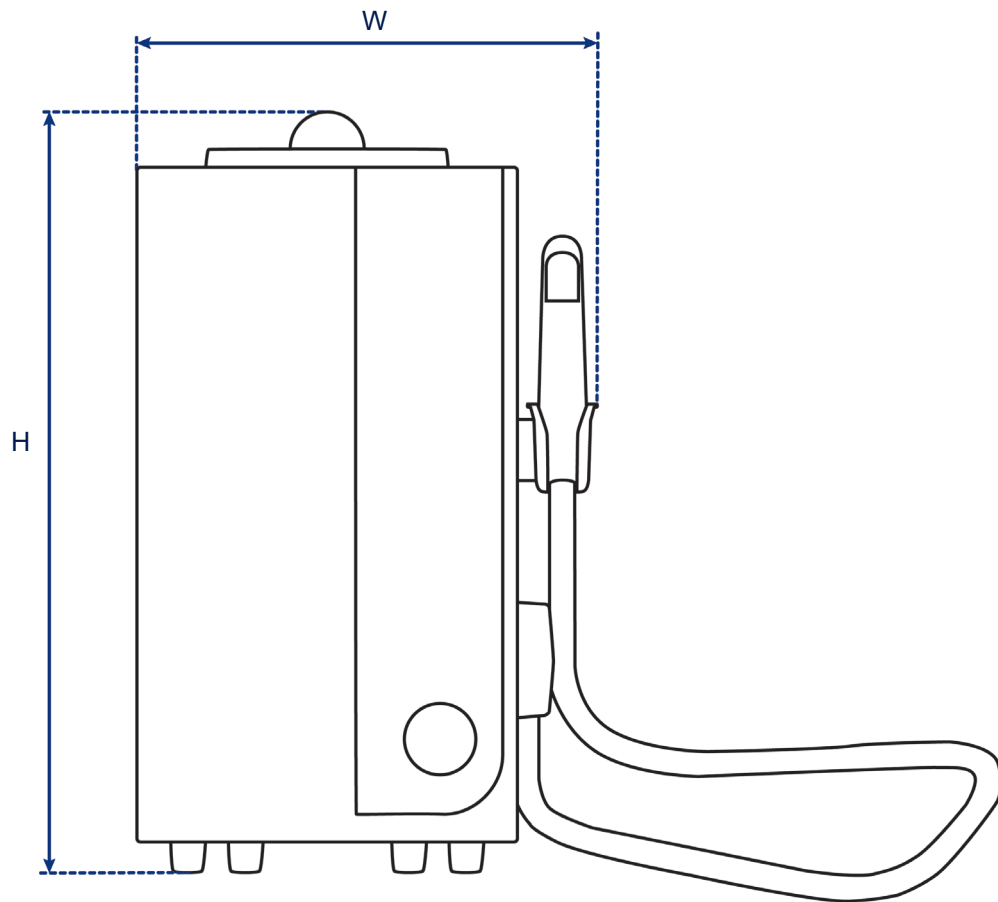
Elmasteam 8 med	HS	HSL	HS-DL	P-HS-DL	P-HSL-DL
Mains voltage (V~)	220 - 240				
Mains frequency (Hz)	50 / 60				
Power consumption total (W)	3120				
Steam temperature tank (°C)	max. 185				
Steam temperature nozzle (°C)	max. 160				
Sound pressure level at 8 bar (dB-A)	93				

Technical specifications serve as orientation values and are subject to tolerances due to production and manufacturing. Proper operation can only be guaranteed when using original Elma accessories.

Elmasteam 8 med

Dimension definition

Unit outer dimensions



The drawings are merely included as a visualization aid and are not true to scale.

Technical specifications serve as orientation values and are subject to tolerances due to production and manufacturing. Proper operation can only be guaranteed when using original Elma accessories.